



Red Wing Steel Works
Matt & Suzie Kline - Owners
1526 S Park St
Red Wing, MN 55066

Email: redwingsteelworks@gmail.com
Website: redwingsteelworks.com

3' x 5' Angle Iron Welding Table Total Material List

46' x 2" x 2" x .188" angle iron
5'2" x 3'2" x .188" sheet metal

Cut List

Top

1 - 62" x 38" x .188" sheet metal

Top Frame

2 - 60" x 2" x 2" x .188" angle iron with 45 degree cuts

2 - 36" x 2" x 2" x .188" angle iron with 45 degree cuts

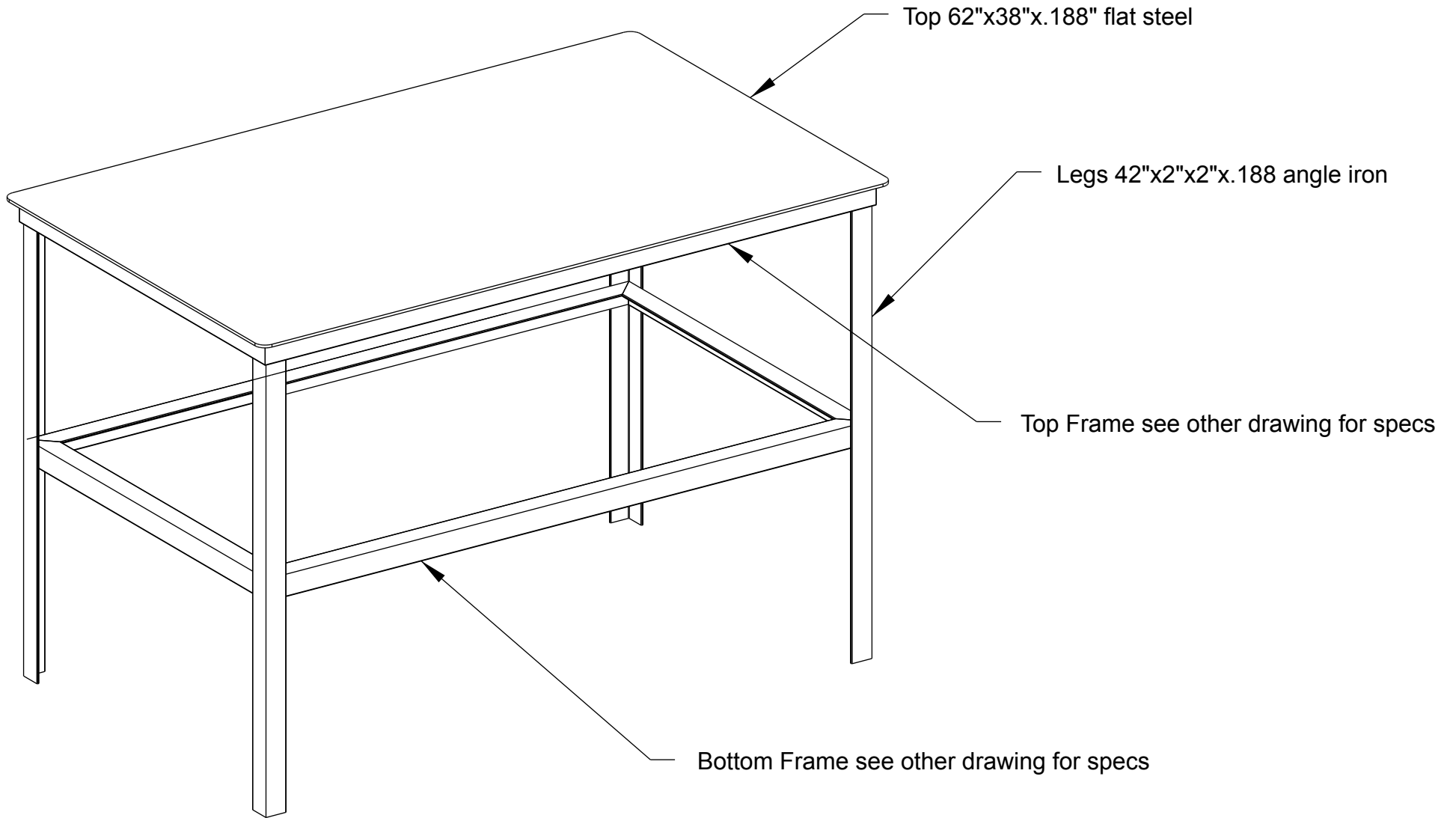
Bottom Frame

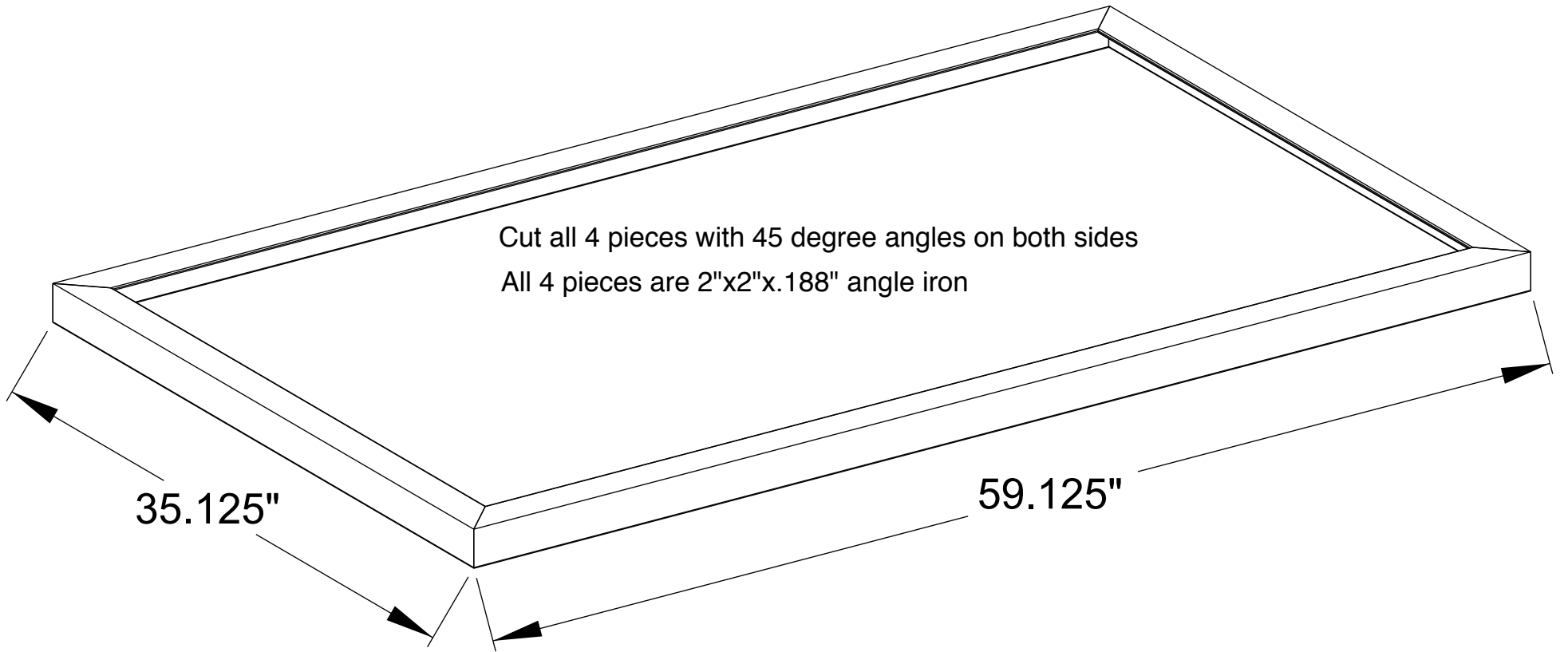
2 - 59.125" x 2" x 2" x .188" angle iron with 45 degree cuts

2 - 35.125" x 2" x 2" x .188" angle iron with 45 degree cuts

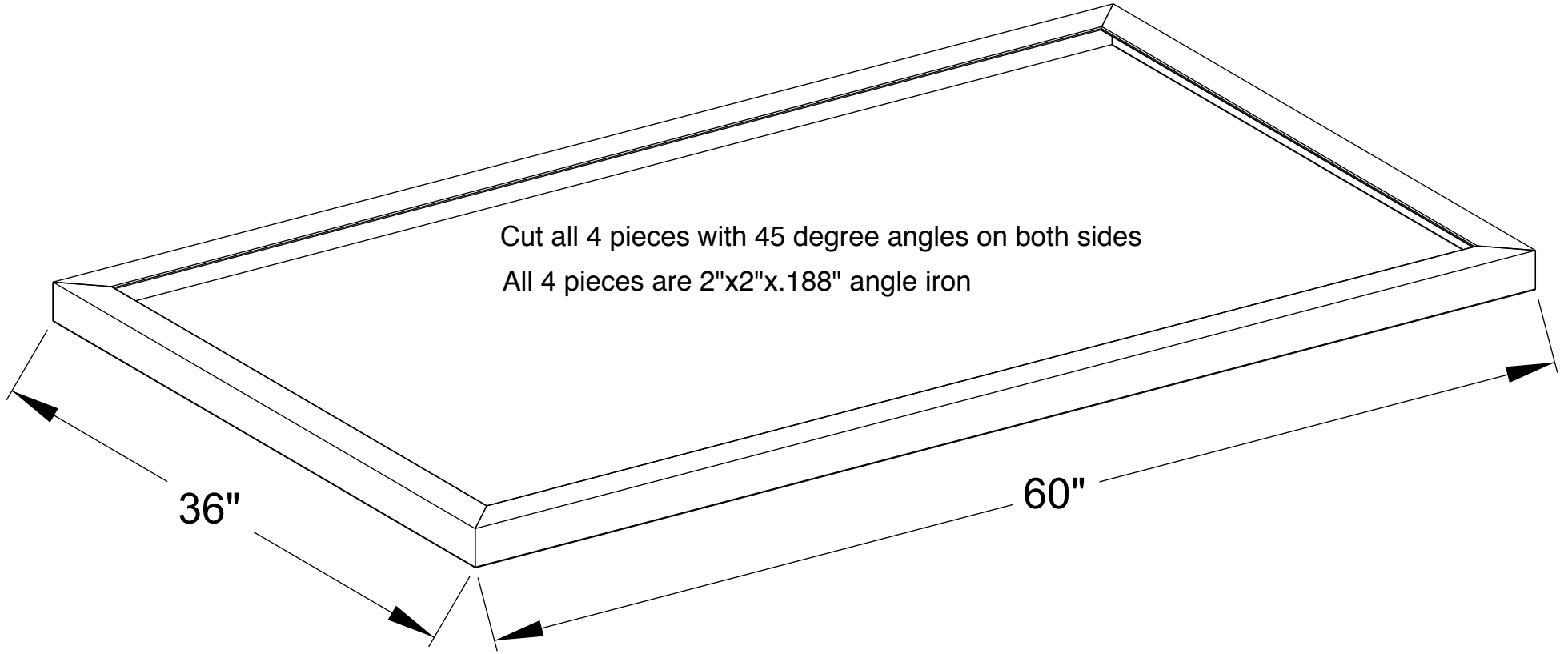
Legs

4 - 42" x 2" x 2" x .188" angle iron





Bottom Frame



Top Frame

